

4

3

2

1

F

F

E

E

D

D

C

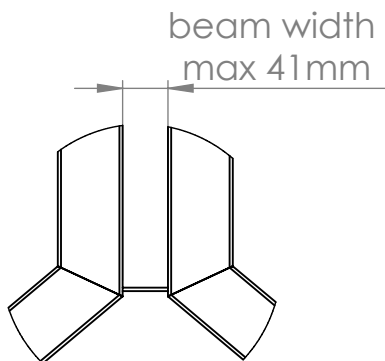
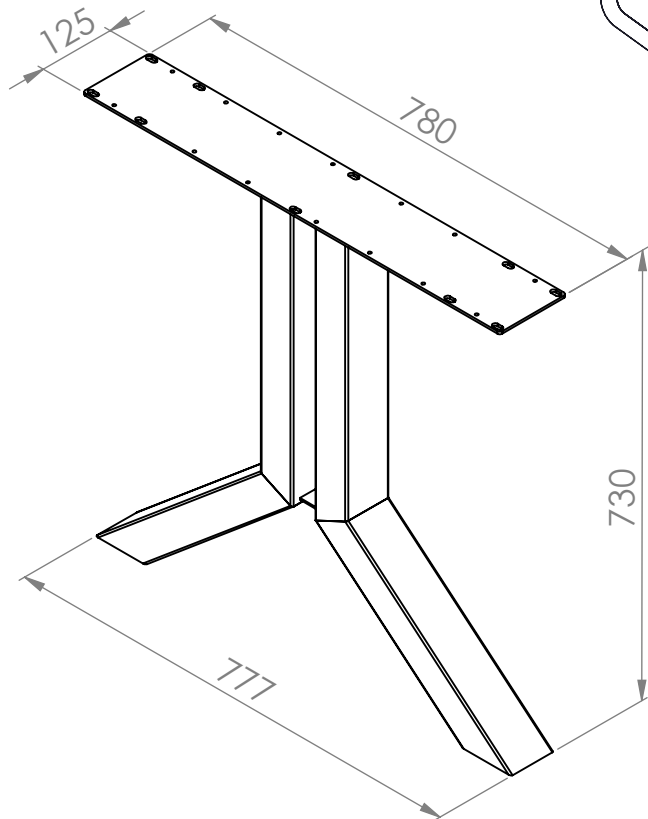
C

B

B

A

A



Strips to paste felt or rubber to protect floor



Rev A:
Rev B:
Rev C:
Rev D:

UNLESS OTHERWISE SPECIFIED:
DIMENSIONS ARE IN MILLIMETERS
SURFACE FINISH:
TOLERANCES: TOSA001
LINEAR: TOSA001
ANGULAR: TOSA001

DEBURR AND
BREAK SHARP
EDGES

Projection



Property of Nordstahl copyright's reserved

NORDSTAHL

Stylish with steel

www.nordstahl.com

Date:
SCALE: 1:10

MATERIAL: Steel
FINISH: Powder coated Nordstahl Steel
Colour

Description: Split leg

Drawing no.: TL2018-014-000

WEIGHT: 10433.67

A4

4

3

2

1